
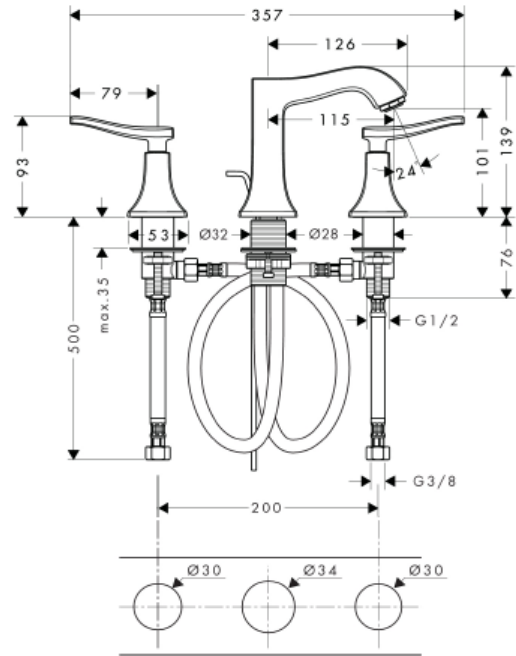


## SPECIFICATION SHEET - fittings

<b>BRAND:</b>	<b>hansgrohe</b>	<b>Product Photo:</b>  
<b>ORIGIN:</b>	Germany	
<b>SERIES:</b>	<b>Metris C</b>	
<b>PRODUCT DESCRIPTION:</b>	3-hole 2-handle basin mixer • ComfortZone 100 • with pop-up waste 1¼" • Flow rate: 5 l./min. at 3 bar • Flow pressure; 1~5 bar (15~70 psi) • spray type: normal spray	
<b>MODEL No.</b>	31073 821	
<b>FINISH/COLOUR:</b>	Brushed Nickel	
<b>DIMENSIONS:</b>	126mm L x 357mm W x 139mm H 115mm spout projection	
<b>OPTIONAL MATCHING PARTS:</b>	2x angle valve ½"x¾" basin waste trap	

**Technical Informations:** Suitable for continous flow water heater



<b>REMINDER:</b>	<p style="color: magenta;">Pipe flushing must be done before faucets are installed. Failure to do so voids the warranty.</p> <p>Do not use cleaners containing abrasive cleansers, ammonia, bleach, acids, waxes, alcohol, solvents or other products not recommended for chrome.</p> <p>All information is for reference only, installation shall always be based on the actual product delivered.</p>
------------------	---